

Fullex Patio door lock

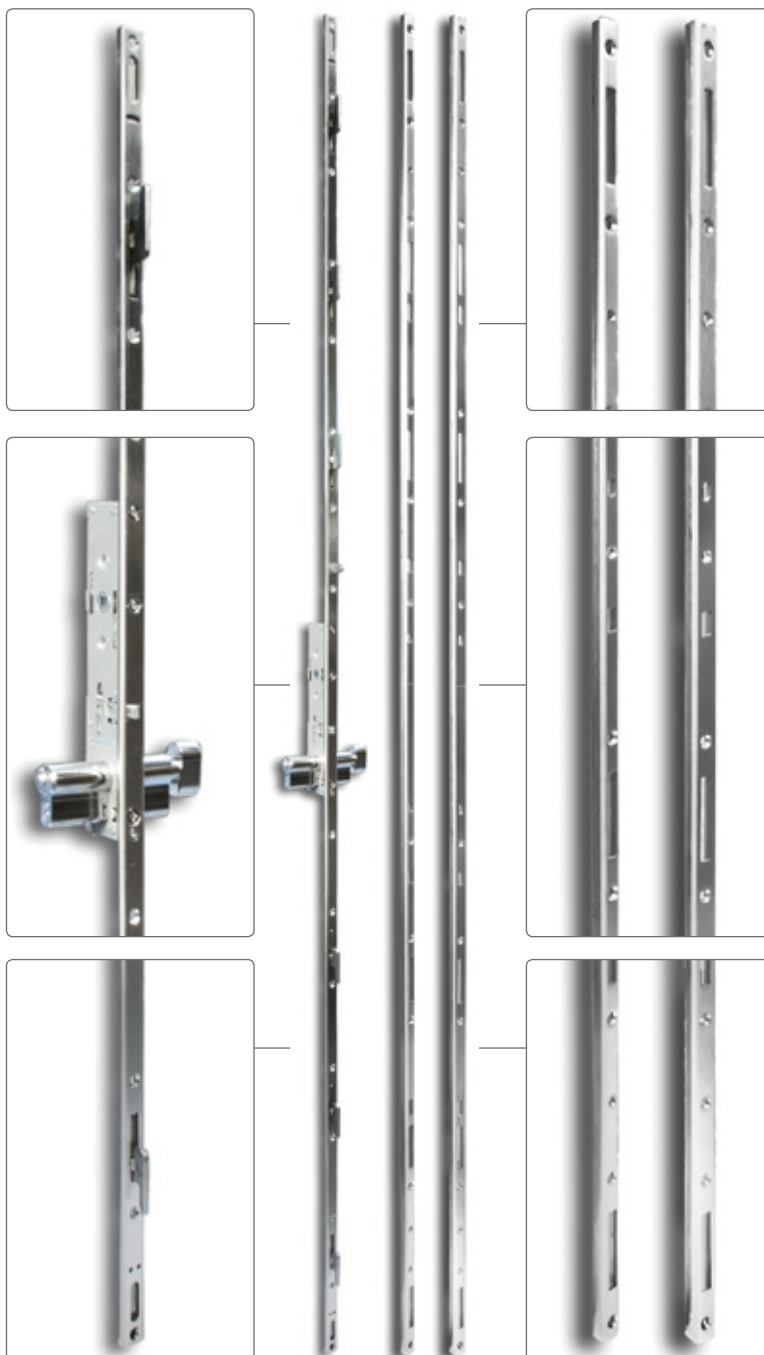


The Fullex Eurogroove patio door lock has been designed to offer high security and reliability.

Manufactured from Austenitic 201 stainless steel, the lock incorporates 6 or 8 opposing hooks, a central anti lift bolt and has the option to add shootbolts at the top and bottom.

Backed by a 10 year guarantee, salt spray tested to in excess of 480hrs and cycle tested to 100,000 operations, Fullex patio locks offer long term reliability as well as security.

- Secured by Design
- Six or eight opposing stainless steel hooks and centre anti lift bolt
- Mishandling device to prevent damage to lock and keep
- One piece stainless steel keeps
- Shootbolt extendable at top and bottom as standard



www.fullex-locks.com

Fullex Patio door lock



Fullex patio lock suits all major PVCu profiles and the one piece keeps are available in 12mm or 16mm U-channels with profile specific packers.

The Fullex patio lock is finished in stainless steel, offering in excess of 480 hours neutral salt spray resistance, offering peace of mind to both fabricators and homeowners.

When matched with the fullex ABC anti bump cylinders, Fullex patio locks are at the forefront of residential door security.

Technical Data

Corrosion Resistance
BSEN1670 Grade 5 (severe)

Cyclic Operation
Cycle tested to 100,000 cycles

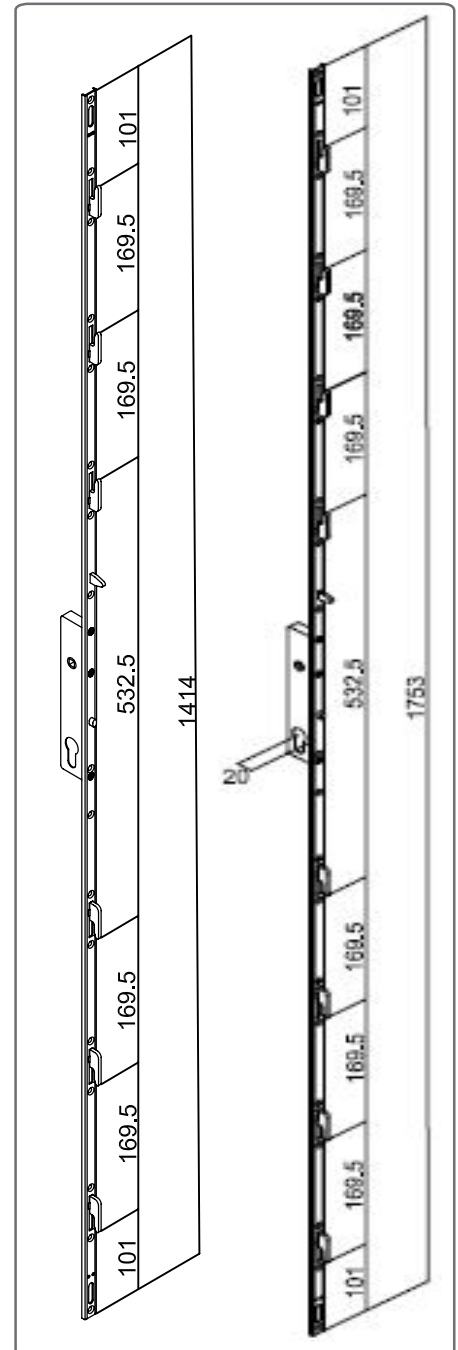
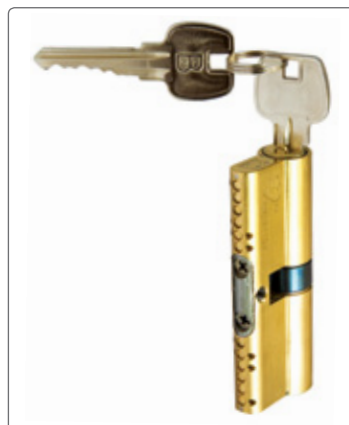
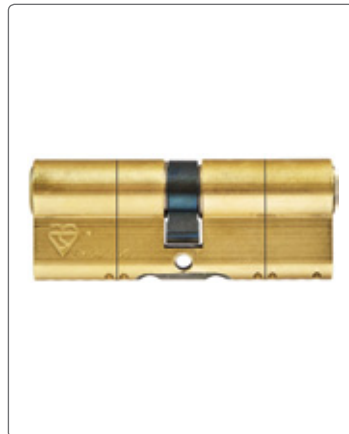
Materials

Top And Bottom Hooks
201 Stainless steel

Anti lift bolt
201 Stainless steel

Faceplate and gearbox
201 Stainless steel faceplate, silver passivated centre gearbox

One piece keep
201 Stainless steel



www.fullex-locks.com