

# MK2 LBP LEVER/PAD DOOR HANDLE



## PRODUCT DESCRIPTION

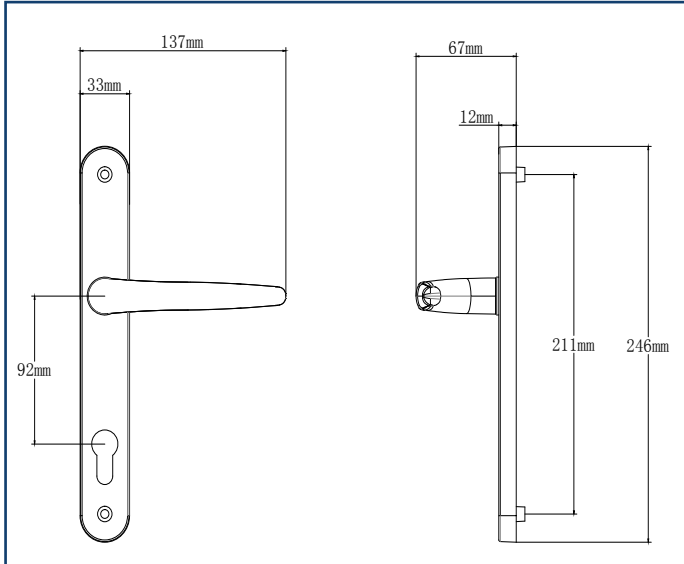
Designed with both functionality and aesthetics in mind, our premium Quantum MK2 Long Back Plate door handles are fully suited with the door and window furniture from the same range, delivering a consistent high quality & stylish look. Choose from nine popular finishes that will truly complement your doors.

## FEATURES & BENEFITS

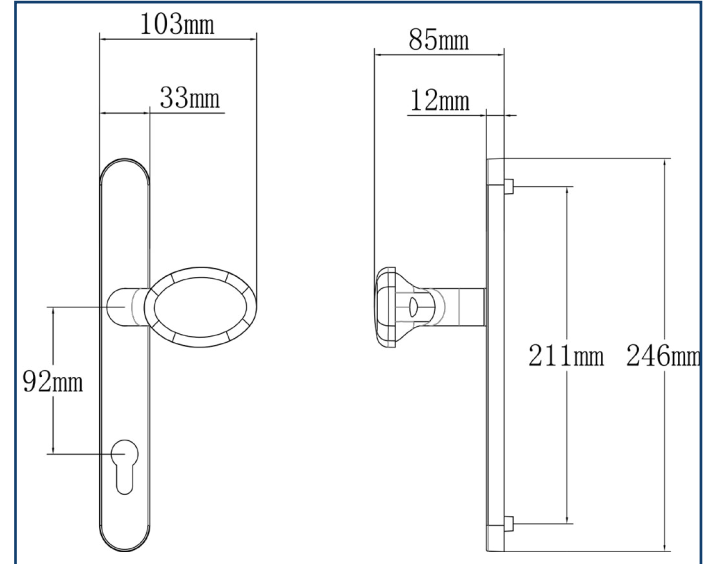
- Elegant ergonomic design with superior aesthetics
  - Part of the fully suited Quantum Range
- Supplied with screws & spindles suitable for door thicknesses of 38-72mm
- Fixed spring assisted, guaranteeing horizontal handle return after every operation
  - Available in inline lever/pad and offset lever/pad
- Nine finishes available; White, Black, Chrome, Gold, Satin Silver, Flint, Tungsten, Anthracite Grey and Antique Black
  - 10 Year mechanical guarantee
- 10 Year surface guarantee on powder coated finishes, 5 Year surface guarantee on plated finishes
  - Coating tested to BS.EN: 2007 Grade 5

# MK2 LBP LEVER/PAD DOOR HANDLE

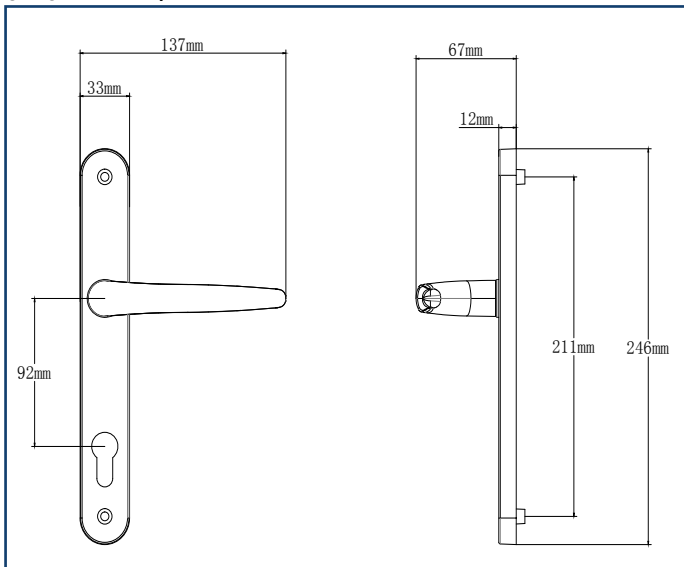
## INLINE LEVER/PAD INTERNAL HANDLE



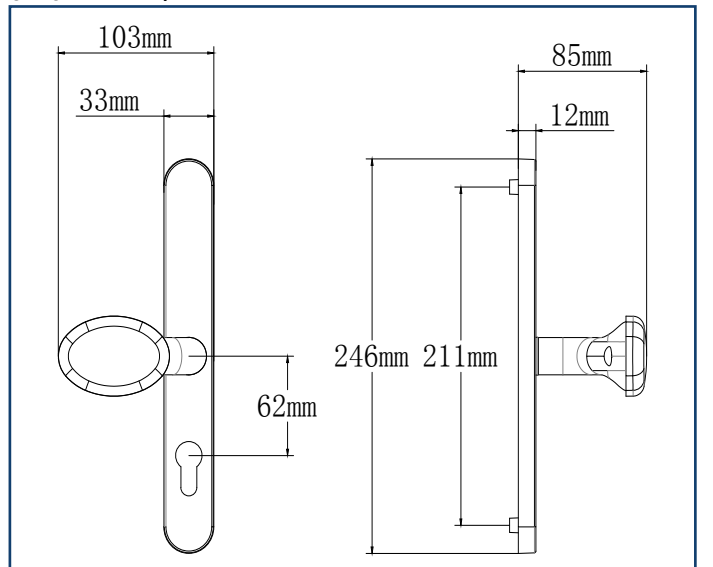
## INLINE LEVER/PAD EXTERNAL HANDLE



## OFFSET LEVER/PAD INTERNAL HANDLE



## OFFSET LEVER/PAD EXTERNAL HANDLE



### PACKAGING

Each outer box contains 10 individually boxed handles, each with screws and spindles included.

### MAINTENANCE

To maintain a high quality appearance and operation we recommend that all external hardware is cleaned routinely, and moving parts are lightly lubricated a minimum of twice a year. Products used within a 1 mile radius of coastal areas, building sites or large industrial areas, more regular cleaning will be required to prevent build up of corrosive contaminants.