

# MK2 SBP DOOR HANDLE

## PRODUCT DESCRIPTION

Our Quantum MK2 Short Back Plate combines beautiful looks with an ergonomic design, adding real value to any uPVC, composite and aluminium door. Available in White, Satin Silver, Chrome, Gold, Black, and Flint, our door handles are suitable for door thicknesses of 38mm-72mm. We offer 10 year mechanical guarantee on all our handles.

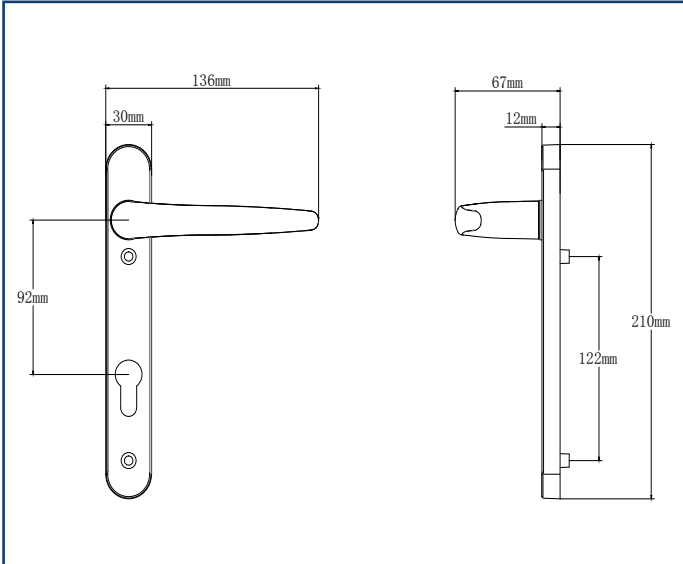
## FEATURES & BENEFITS

- Elegant ergonomic design with superior aesthetics
  - Part of the fully suited Quantum Range
- Supplied with screws & spindles suitable for door thicknesses of 38-72mm
- Fixed spring assisted, guaranteeing horizontal handle return after every operation
- Available in inline lever/lever and inline lever/pad
- Nine finishes available; White, Black, Chrome, Gold, Satin Silver, Flint, Tungsten, Anthracite Grey and Antique Black
  - 10 Year mechanical guarantee
- 10 Year surface guarantee on powder coated finishes, 5 Year surface guarantee on plated finishes
  - Coating tested to BS.EN: 2007 Grade 5

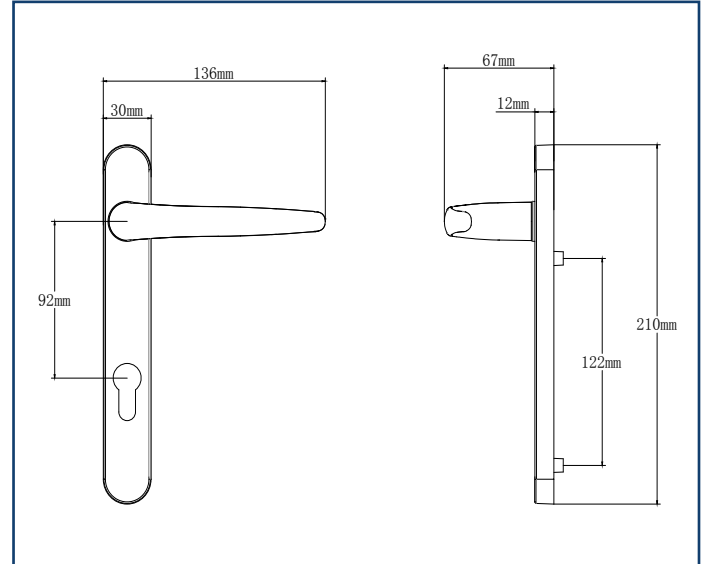


# MK2 SBP DOOR HANDLE

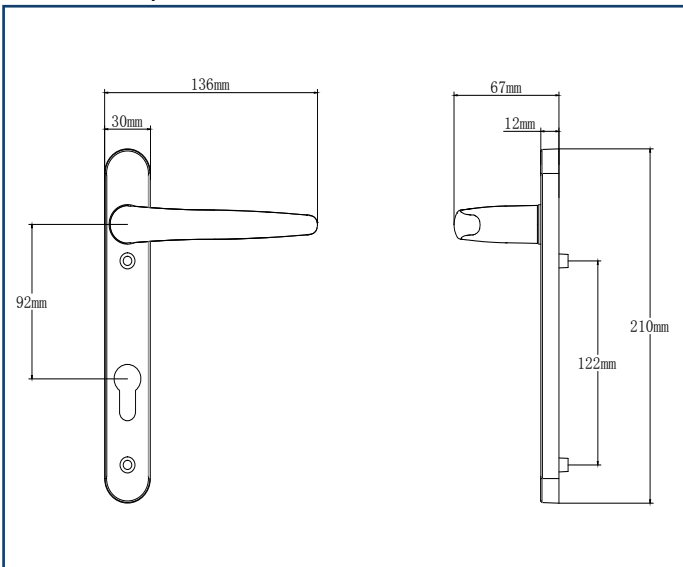
## INLINE LEVER/LEVER INTERNAL HANDLE



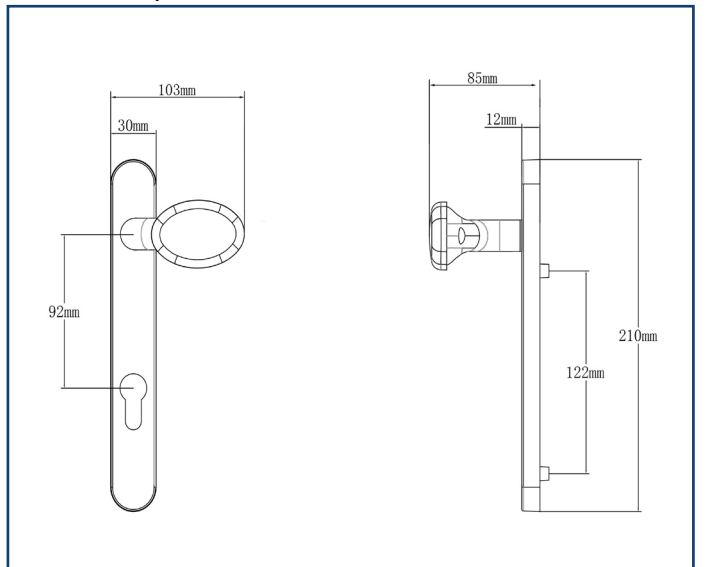
## INLINE LEVER/LEVER EXTERNAL HANDLE



## INLINE LEVER/PAD INTERNAL HANDLE



## INLINE LEVER/PAD EXTERNAL HANDLE



### PACKAGING

Each outer box contains 10 individually boxed handles, each with screws and spindles included.

### MAINTENANCE

To maintain a high quality appearance and operation we recommend that all external hardware is cleaned routinely, and moving parts are lightly lubricated a minimum of twice a year. Products used within a 1 mile radius of coastal areas, building sites or large industrial areas, more regular cleaning will be required to prevent build up of corrosive contaminants.