

# DOOR RESTRICTORS



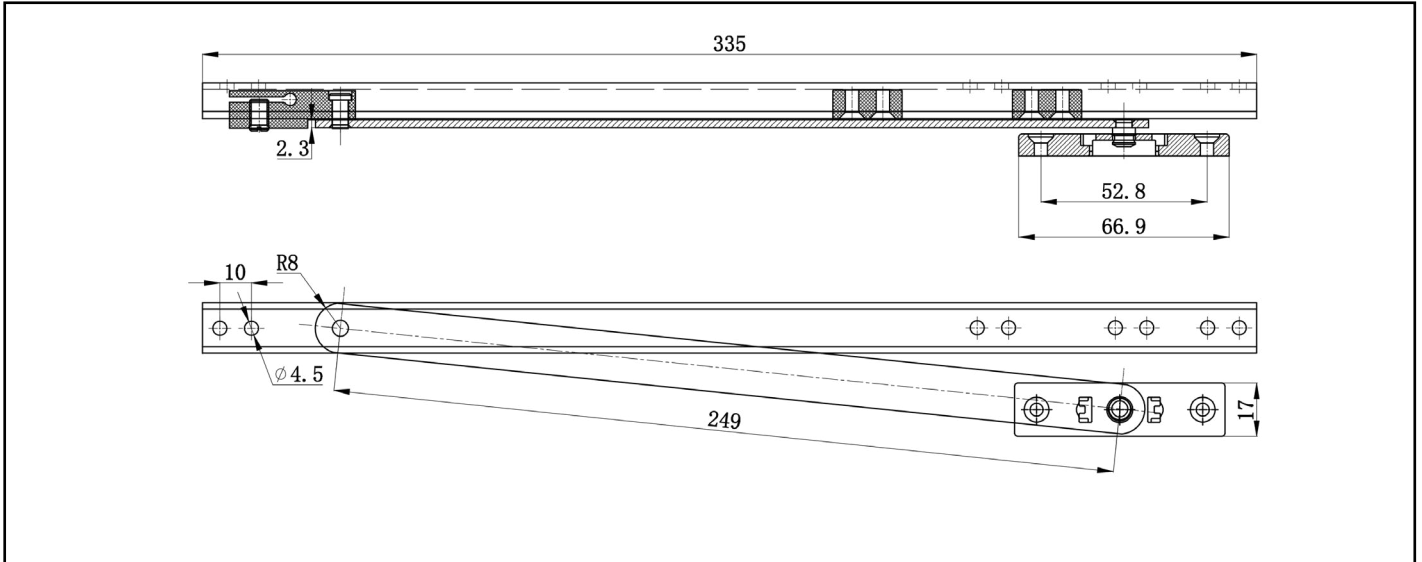
## PRODUCT DESCRIPTION

Easy to fit in the Eurogroove, our Quantum SLDR and R10 door restrictors are the perfect solution for both PVC and Aluminium doors. The Quantum door restrictors are designed to provide adjustable limitation to the door movement, and allow an opening aperture of maximum 90°.

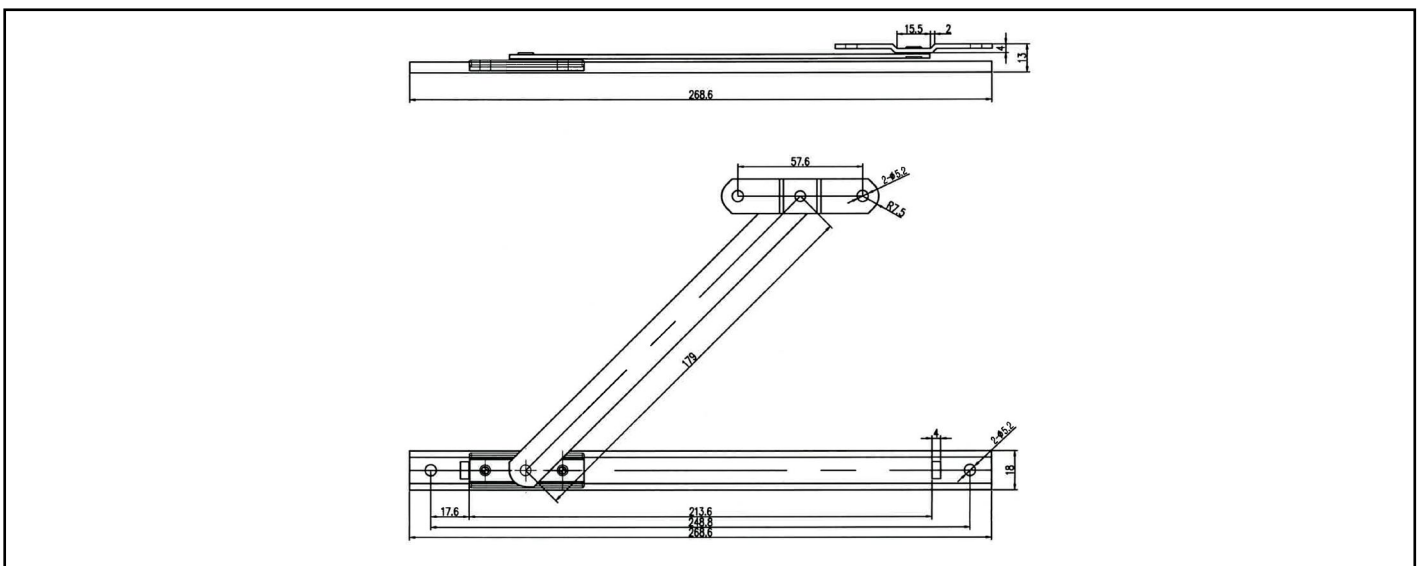
## FEATURES & BENEFITS

- SLDR suitable for most uPVC profiles
- Easy to fit in Eurogroove and bracket to frame
  - R10 suitable for aluminium
- Adjustable opening aperture (maximum 90°)
  - Tested to 100,000 cycles
- SLDR manufactured from aluminium
- R10 manufactured from stainless steel
- Corrosion resistance Grade 4 in accordance with BS EN 1670:1998

## AV-SLDRS RESTRICTOR



## R10 RESTRICTOR



### PACKAGING

All restrictors are in outer boxes of 100's.

### MAINTENANCE

To maintain a high quality appearance and operation we recommend that all external hardware is cleaned routinely, and moving parts are lightly lubricated a minimum of twice a year. Products used within a 1 mile radius of coastal areas, building sites or large industrial areas, more regular cleaning will be required to prevent build up of corrosive contaminants.