

# SLIMLINE PULL ESCUTCHEON

---

## PRODUCT DESCRIPTION

Made from high quality, 304 grade stainless steel, the Slimline Pull Escutcheon features unrivalled corrosion resistance and a sleek, contemporary design. As part of the Superior 25 door furniture range the Escutcheon is perfectly suited with other products for a coordinated look.

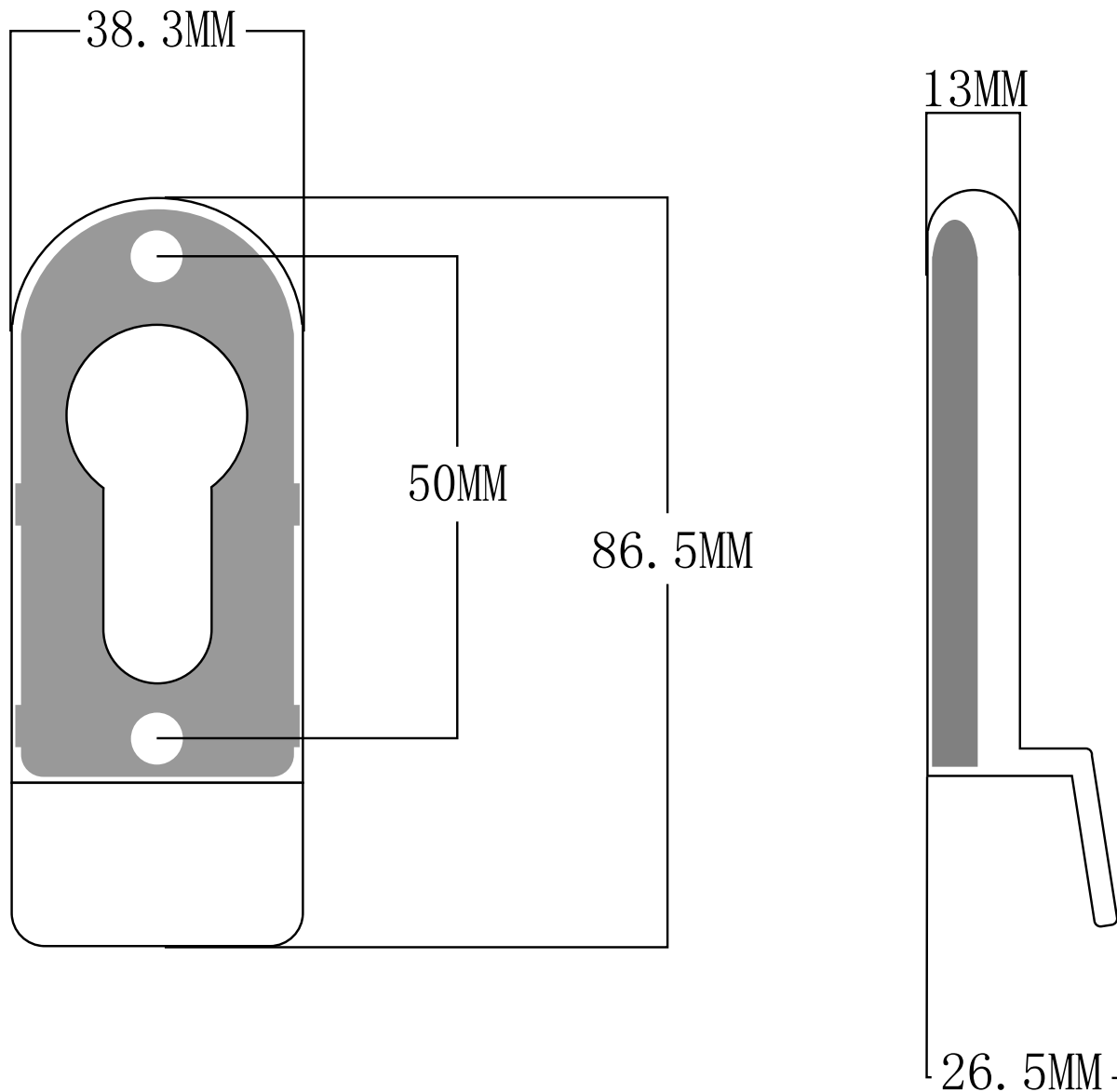


## FEATURES & BENEFITS

- Slimline design to fit most types of doors
- For use with euro profile cylinders, where a handle is not required
- Part of the fully suited Superior 25 range
- Ten finishes available; White, Black, Chrome, Gold, Brushed Stainless, Satin Silver, Flint, Tungsten, Anthracite Grey and Antique Black
- Face fixed
- 25 Year surface guarantee



# SLIMLINE PULL ESCUTCHEON



## PACKAGING

Each outer box contains 20 individually bagged escutcheons each with a fixing plate.

## MAINTENANCE

To maintain a high quality appearance and operation we recommend that all external hardware is cleaned routinely, and moving parts are lightly lubricated a minimum of twice a year. Products used within a 1 mile radius of coastal areas, building sites or large industrial areas, more regular cleaning will be required to prevent build up of corrosive contaminants.