

Elite Stainless Steel Furniture Range

Create a bespoke style with a full range of Elite Stainless Steel furniture available.

Range includes:

- T-Bar Handle
- Bow Handle
- Oval and circular escutcheon
- Contemporary and traditional urn knockers
- Central knob

All available with a 25 year Surface Finish Guarantee.



Platinum 3 Star Cylinder

Designed to deter even the most determined intruders. The Yale Platinum 3 Star Cylinder has been designed to protect homes with its anti-snap, anti-bump, anti-pick and anti-pull technology.

Specification

- PAS 24 security tested
- Sacrificial external side to defend against snap attacks
- TS007:2014 3 star accreditation
- 10 year Mechanical Guarantee
- Available in brass, chrome and black



Platinum 2 Star Cylinder Pull

Enhanced TS007 2 Star security without compromising on style.

Specification

- Sacrificial break point defends against common attack methods
- Designed to achieve a heritage door style or enhance a modern door set
- 10 year Mechanical Guarantee
- Available in PVD chrome, PVD brass and satin chrome finishes



10 Year Mechanical Guarantee
Delivering peace of mind from the world's favourite lock company



BS EN 1670
British Standards Institute accredited anti-corrosion performance



PAS 24 Compliant
British Standards Institute accredited in security



Meets the requirements of FD60
Lockmaster AutoEngage has been designed and tested to exceed the FD60 test criteria as part of a door set



Meets the requirements of FD30
Lockmaster AutoEngage has been designed and tested to meet the requirements of FD30 test criteria as part of a door set



Lifetime Security Guarantee*
All products in our Lockmaster AutoEngage range are included within our Lifetime Security Guarantee scheme, providing your customers with numerous benefits and peace of mind



Made in Britain
Yale Doors and Windows are members of Made in Britain, which champions British manufacturing by encouraging and developing the supply chain of UK-made goods

THE YALE BRAND, with its unparalleled global reach and range of products, reassures more people in more countries than any other consumer locking solution.

THE ASSA ABLOY GROUP is the world's leading manufacturer and supplier of locking solutions, dedicated to satisfying end-user needs for security, safety and convenience.

© Yale, January 2020

Yale DWS
School Street, Willenhall, West Midlands WV13 3PW, UK
T: 01902 366800 F: 01902 369041
www.yaledws.co.uk

Due to a continuous programme of development the company reserves the right to make alterations without notice. (Products which are not a stocked item will be subject to a longer lead time which needs to be agreed with your Yale representative).

*Terms and conditions apply.

An ASSA ABLOY Group brand

ASSA ABLOY

Lockmaster AutoEngage

Maximum security, complete versatility.
The new multipoint locking solution from Yale.



- Auto engage lock mechanism
- Designed to suit contemporary and heritage door styles
- Versatile gearbox supports key retract and lever exit operation
- Full range of Elite Stainless Steel furniture available

LOCKMASTER

ASSA ABLOY

Yale Lockmaster AutoEngage is a new multipoint locking system from the world's favourite lock company.

Designed, developed and tested to Yale's exacting standards, delivering high performance security whilst also complementing contemporary and heritage door styles.

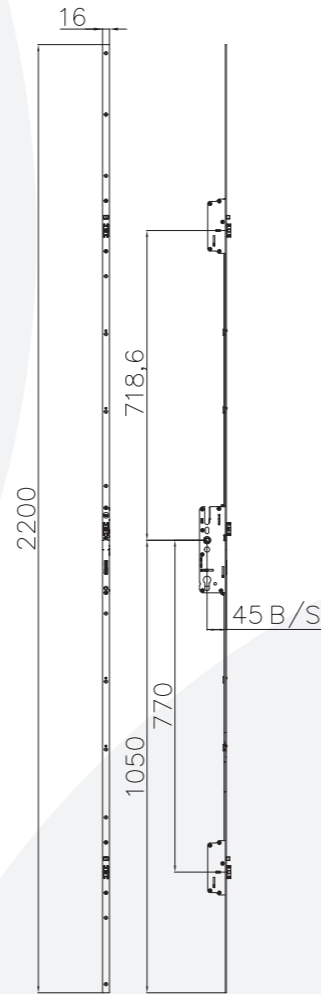
The automatic lock mechanism instantly engages security latches from independent trigger points as the door closes - removing the need to lift the handle. The versatile gearbox design allows for decorative key retract and lever operated door furniture.

Improving ease of use for residents with limited dexterity, Yale Lockmaster AutoEngage offers a versatile solution for people and properties.

Yale Lockmaster AutoEngage

Classic multipoint lock

A versatile auto engage locking mechanism suitable for key operation and lever exit doors.



Note: YAS1-4501-27 shown for illustration purposes.

Locking points

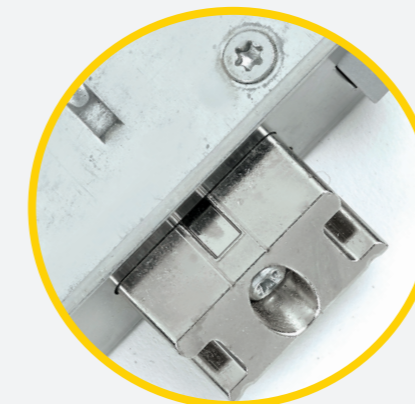
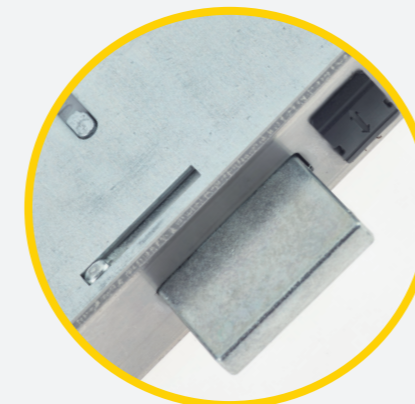
- Auto engage key retract locking mechanism
- Security latches automatically fire upon closure offering 20mm deadbolt engagement
- Fully reversible security latches
- Central deadbolt provides independent security with a 20mm throw
- Available in 35mm and 45mm backset options
- Suitable for composite and timber doors
- Designed to be compatible with a wide range of decorative furniture sets
- Hold-back feature to prevent accidental lock-outs

Faceplate

- Yale branded
- 16mm or 20mm faceplate options
- Manufactured in 430 Stainless Steel; Austenitic 304 Stainless Steel variants also available
- Range includes square and radius end options

Specification

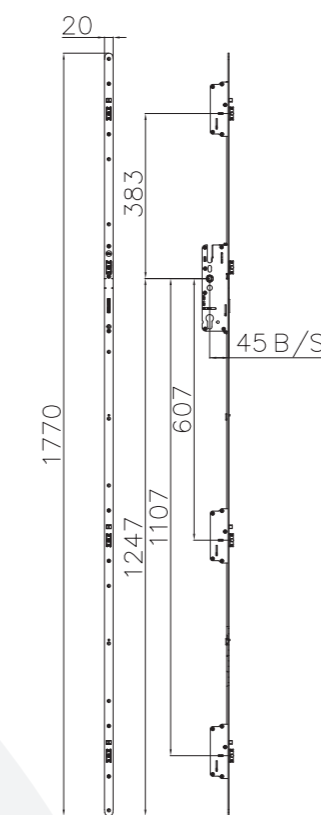
- PAS 24:2016 security tested
- BS EN 1670:2007 Grade 4 (240hrs. NSST)
- Tested to a minimum of 100,000 cycles
- 10 year Mechanical Guarantee
- Made in Britain
- Lifetime Security Guarantee when used with other Yale security hardware*
- Meets the requirements of FD30 and FD60 when tested as part of a door set



Yale Lockmaster AutoEngage

Heritage multipoint lock

An auto engage key retract lock mechanism designed to complement contemporary and heritage door styles.



Note: YAS1-4504-27 shown for illustration purposes.

Locking points

- Auto engage key retract locking mechanism
- Security latches automatically fire upon closure offering 20mm deadbolt engagement
- Fully reversible security latches
- Central deadbolt provides independent security with a 20mm throw
- Available in 35mm and 45mm backset options
- Suitable for composite and timber doors
- Designed to be compatible with a wide range of decorative furniture sets
- Hold-back feature to prevent accidental lock-outs

Faceplate

- Yale branded
- 16mm or 20mm faceplate options
- Manufactured in 430 Stainless Steel; Austenitic 304 Stainless Steel variants also available
- Range includes square and radius end options

Specification

- PAS 24:2016 security tested
- BS EN 1670:2007 Grade 4 (240hrs. NSST)
- Tested to a minimum of 100,000 cycles
- 10 year Mechanical Guarantee
- Made in Britain
- Lifetime Security Guarantee when used in conjunction with other Yale hardware*
- Meets the requirements of FD30 and FD60 when tested as part of a door set

Material Specification

Lockcase: Galvanised Mild Steel

Faceplate: 430 Stainless Steel/Austenitic 304 Stainless Steel

Deadbolt and security latches: Zinc Alloy Castings/Austenitic 304 Stainless Steel

Keeps: Mild Steel/Austenitic 304 Stainless Steel

Maintenance

Yale recommends that all moving components are lubricated using a non-acidic mineral oil at least twice a year and surface cleaned with a damp cloth. The product may need to be adjusted to ensure satisfactory operation.

Packaging

Locks: 5 per box