



# Yale Stable Door Lock

## Technical Manual

Reflecting on the increasing trend for stable door functionality in more contemporary settings as well as cottages and farmhouses, this is a welcome addition to our range enabling us to offer a solution for PVCu and composite doorsets.

- Lockmaster 21 Stable Door Lock
- Lockmaster Stable Door Lock

**Trusted every day**



# Contents

## Lockmaster 21 Stable Door Lock (PVCu)

- Lockmaster 21, 35mm, PVCu, Stable Door Lock
  - YSDL004-T-35H-27 (Top Lock)
  - Routing Prep
- Lockmaster 21, 35mm, PVCu, Stable Door Lock - 29mm extension
  - YSDL003-B-35D-27 (Bottom Lock)
  - Routing Prep
- Lockmaster 21, 35mm, PVCu, Stable Door Lock - 60mm extension
  - YSDL007-B-35D-27 (Bottom Lock)
  - Routing Prep

## Lockmaster Stable Door Lock (Composite)

- Lockmaster, 45mm, Composite, Stable Door Lock (when using flush bolts)
  - YSDL001-T-45H-27 (Top Lock)
  - Routing Prep
- Lockmaster, 45mm, Composite, Stable Door Lock (when using flush bolts)
  - YSDL001-B-45H-27 (Bottom Lock)
  - Routing Prep

# Lockmaster 21

## 35mm PVCu Stable Door Lock - Top Lock

Part Number: YSDL004-T-35H-27



### Auxillary unit

- Lockmaster signature hook and anti-lift pin
- Top roller to assist door lock compression

### Centre case

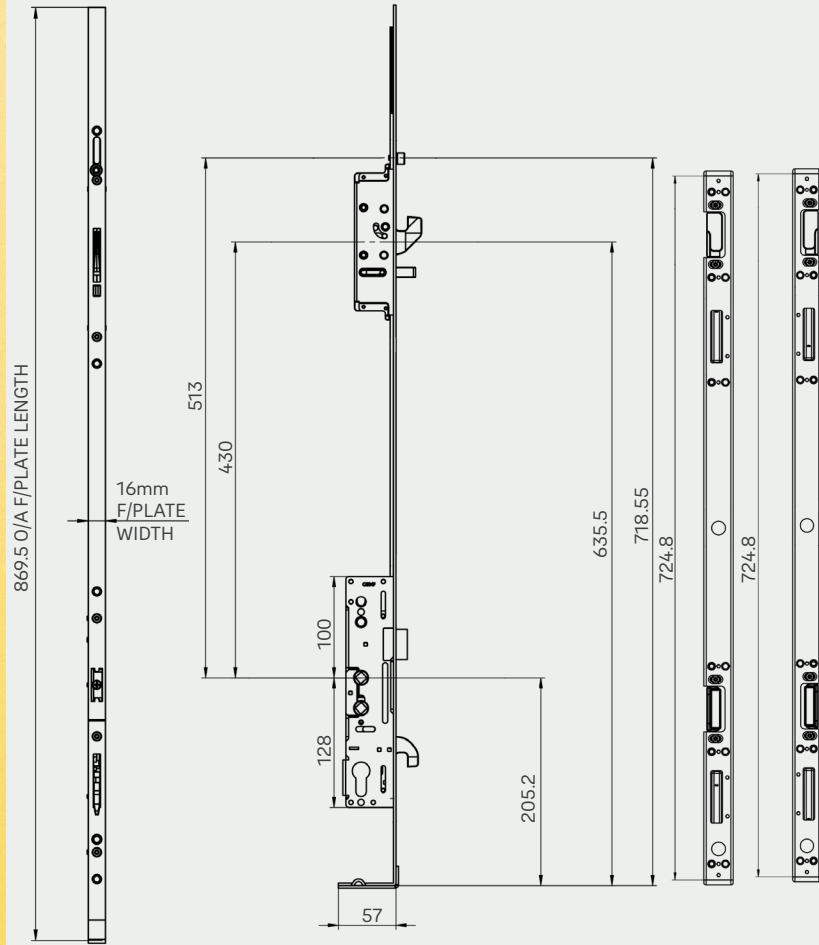
- Lockmaster 21 configured for a lever door handle
- Hook centre
- Unsprung
- Twin follower
- 35mm backset
- Reversible latch
- PZ92 centrecase

### Faceplate

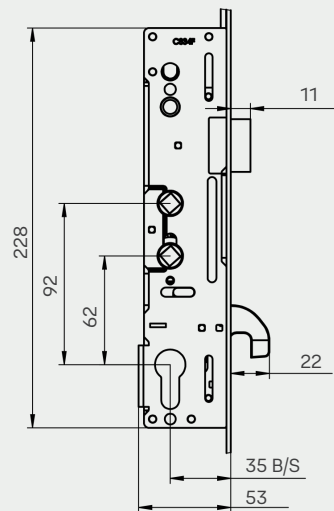
- Yale branded
- 430 stainless steel
- 16mm square end faceplate, with 90 degree return to accept bottom lock shootbolt

### One piece keep

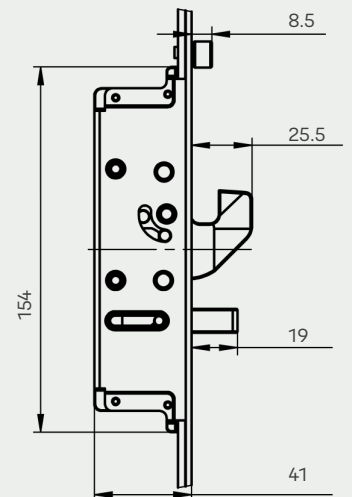
- 13mm handed OPK to suit top lock option
- Lockmaster 21 profile specific packers available



Centre case



Auxillary Unit



Partcode	Description
YSDL004-T-35H-27	Stable Door Lock - Top, 2HAL1R 35mm, Extendable, PVCu (Top Lock)
YLKSD13-01L-T	Stable Door One Piece Keep LH - Top PVCu
YLKSD13-03R-T	Stable Door One Piece Keep RH - Top PVCu

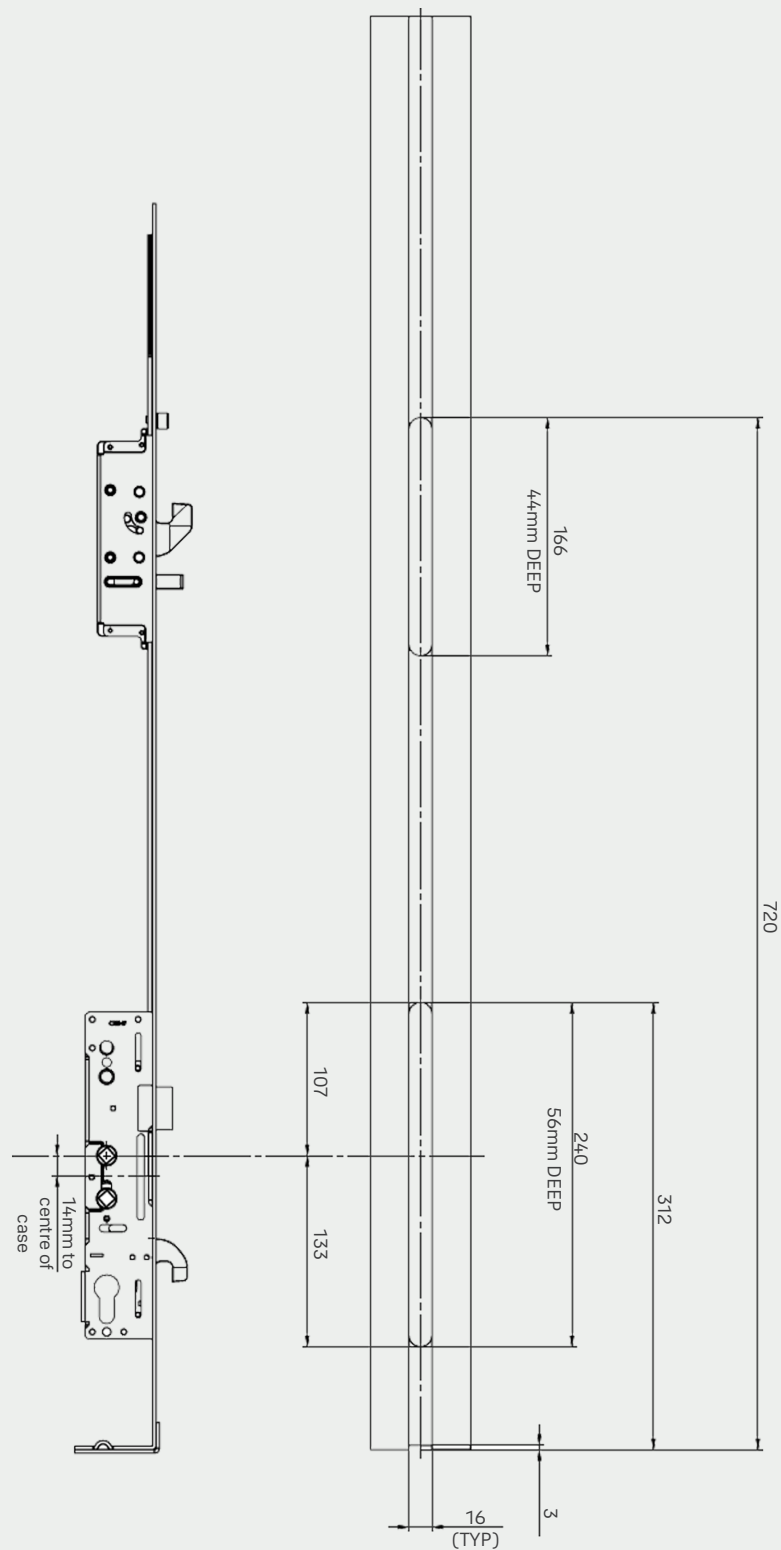
# Lockmaster 21 - Routing Prep

## 35mm PVCu Stable Door Lock

Top Lock

Part Number: YSDL004-T-35H-27

Stable Door Lock - Top, 2HAL1R 35mm, Extendable, PVCu





# Lockmaster 21

## 35mm PVCu Stable Door Lock - Bottom Lock

Part Number: YSDL003-B-35D-27

### Auxillary unit

- Lockmaster signature hook and anti-lift pin
- Bottom roller to assist door lock compression
- 29mm extended shootbolt

### Centre case

- Lockmaster KeyTurn
- 35mm backset
- Deadbolt centre
- PZ92 centrecase

### Faceplate

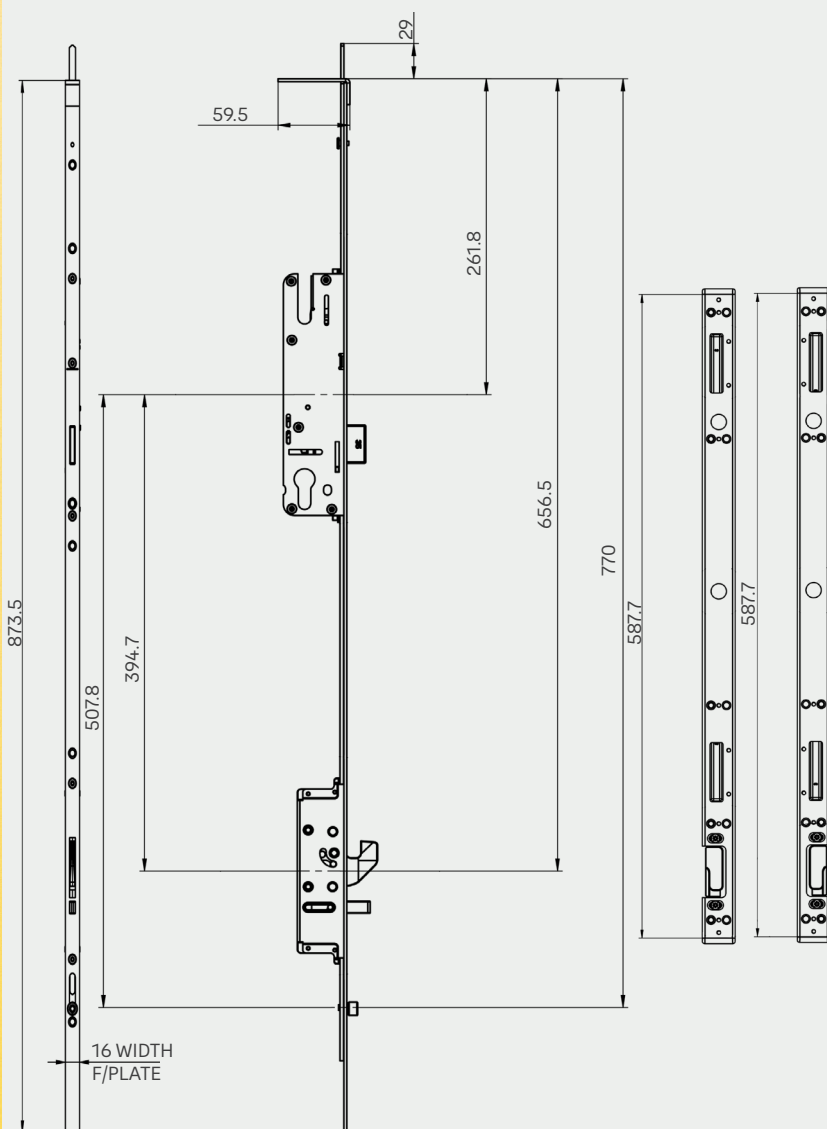
- Yale branded
- 430 stainless steel
- 16mm square end faceplate

### One piece keep

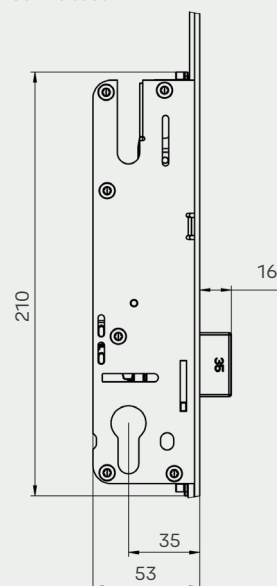
- 13mm handed OPK to suit bottom lock option
- Lockmaster 21 profile specific packers available

### Shootbolt guide

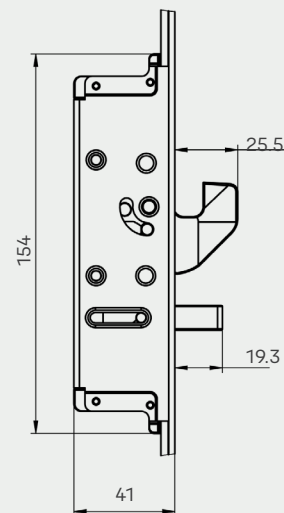
- 304 stainless steel
- 16mm shootbolt guide to accept bottom leaf shootbolt



Centre case



Auxillary Unit



### Partcode

### Description

YSDL003-B-35D-27

Stable Door Lock - Bottom, 1D1HAL1R, PVCu (Bottom Lock) 35mm Ext.

YLKSD13-02L-B

Stable Door One Piece Keep LH - Bottom PVCu

YLKSD13-04R-B

Stable Door One Piece Keep RH - Bottom PVCu

YSDL-SG-60

Shootbolt Guide

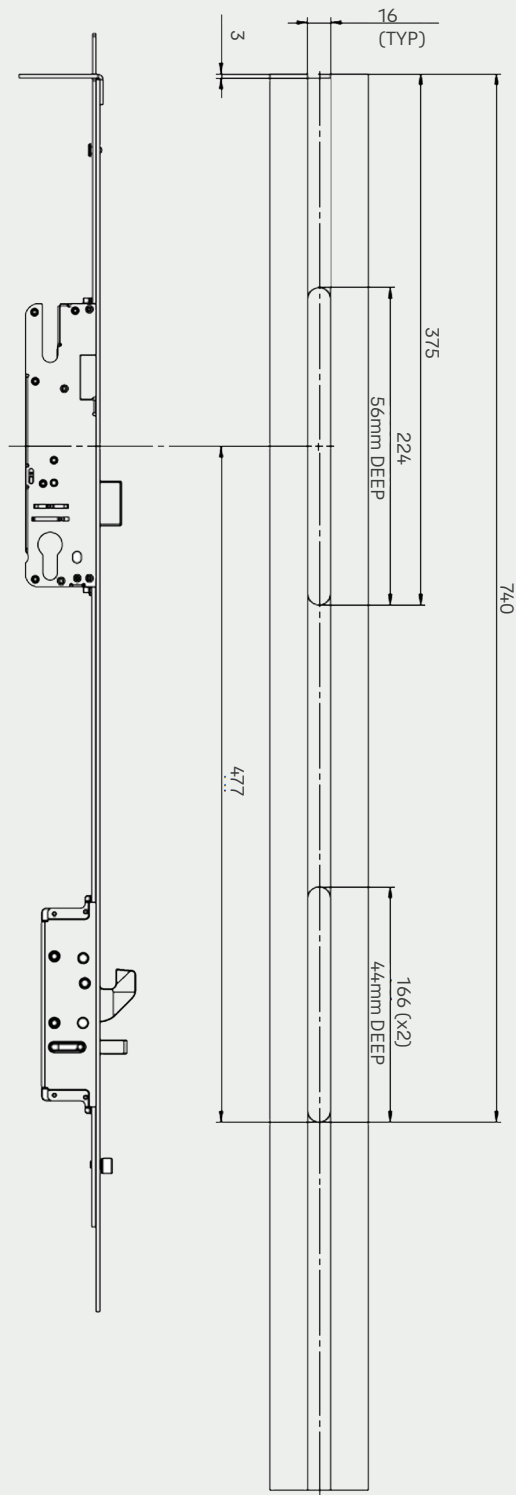
# Lockmaster 21 - Routing Prep

## 35mm PVCu Stable Door Lock

Bottom Lock

Part Number: YSDL003-B-35D-27

Stable Door Lock - Bottom, 1D1HAL1R, PVCu, 35mm, Extendable - 29mm shootbolt



# Lockmaster 21

## 35mm PVCu Stable Door Lock - Bottom Lock

Part Number: YSDL007-B-35D-27

### Auxillary unit

- Lockmaster signature hook and anti-lift pin
- Bottom roller to assist door lock compression
- 61mm extended shootbolt

### Centre case

- Lockmaster KeyTurn
- 35mm backset
- Deadbolt Centre
- PZ92 centrecase

### Faceplate

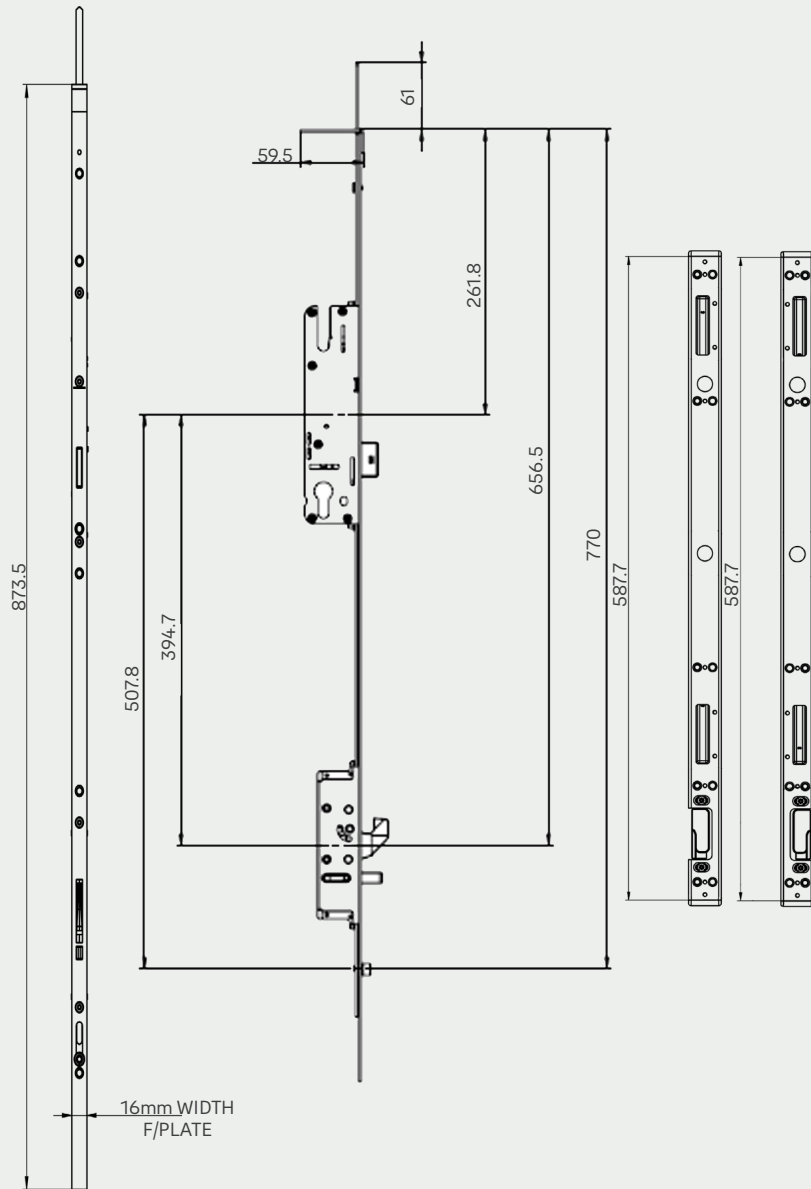
- Yale branded
- 430 stainless steel
- 16mm square end faceplate

### One piece keep

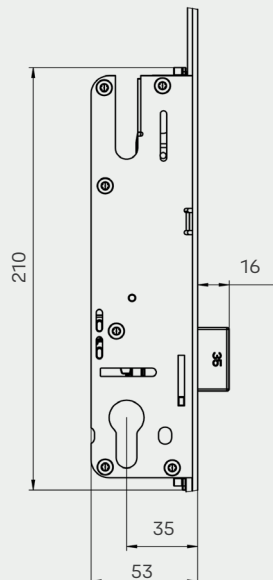
- 13mm handed OPK to suit bottom lock option
- Lockmaster 21 profile specific packers available

### Shootbolt guide

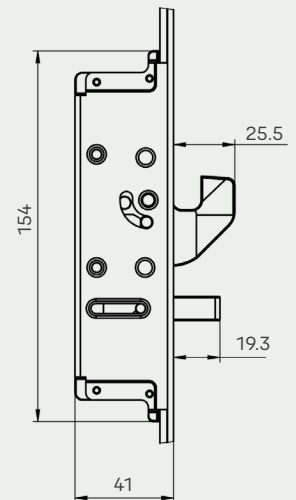
- 304 stainless steel
- 16mm shootbolt guide to accept bottom leaf shootbolt



Centre case



Auxillary Unit



Partcode	Description
YSDL007-B-35D-27	Stable Door Lock - Bottom, 1D1HAL1R, PVCu (Bottom Lock) 60mm Ext.
YLKSD13-02L-B	Stable Door One Piece Keep LH - Bottom PVCu
YLKSD13-04R-B	Stable Door One Piece Keep RH - Bottom PVCu
YSDL-SG-60	Shootbolt Guide

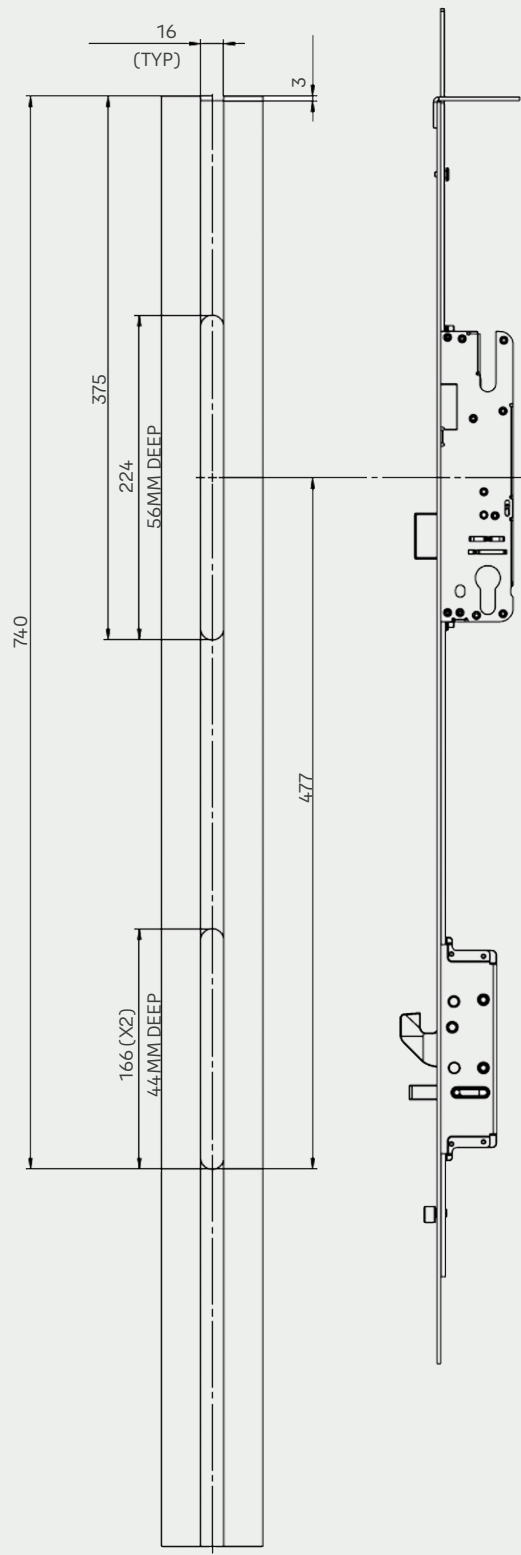
# Lockmaster 21 - Routing Prep

## 35mm PVCu Stable Door Lock

Bottom Lock

Part Number: YSDL007-B-35D-27

Stable Door Lock - Bottom, 1D1HAL1R, PVCu, 35mm, Extendable - 61mm shootbolt





# Lockmaster

## 45mm Composite Stable Door Lock - Top Lock

Part Number: YDSL001-T-45H-27



### Auxillary unit

- Lockmaster signature hook and anti-lift pin

### Centre case

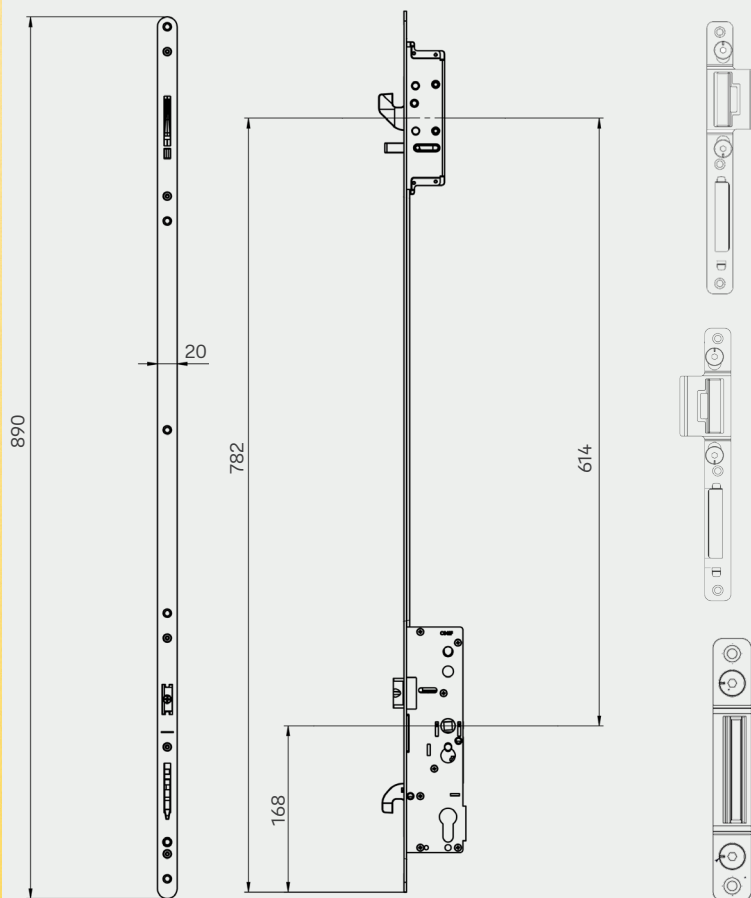
- Lever operated hook gearbox
- 45mm backset
- Hook Centre
- Reversible latch
- PZ92 centrecase

### Faceplate

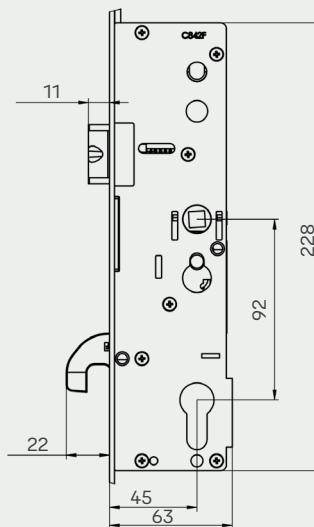
- Yale branded
- 20mm round ended faceplate

### Individual Keeps

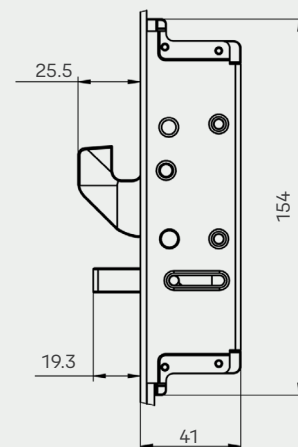
- Fully adjustable keeps to suit top lock option



Centre case



Auxillary Unit



### Partcode

### Description

YDSL001-T-45H-27

Yale Lockmaster Stable Door lock - Top 2H 45mm 20RE

PLK924-19

LH Centre Hook & Deadbolt Keep Composite

PLK925-19

RH Centre Hook & Deadbolt Keep Composite

PLK926-19

Composite Hook End Keep

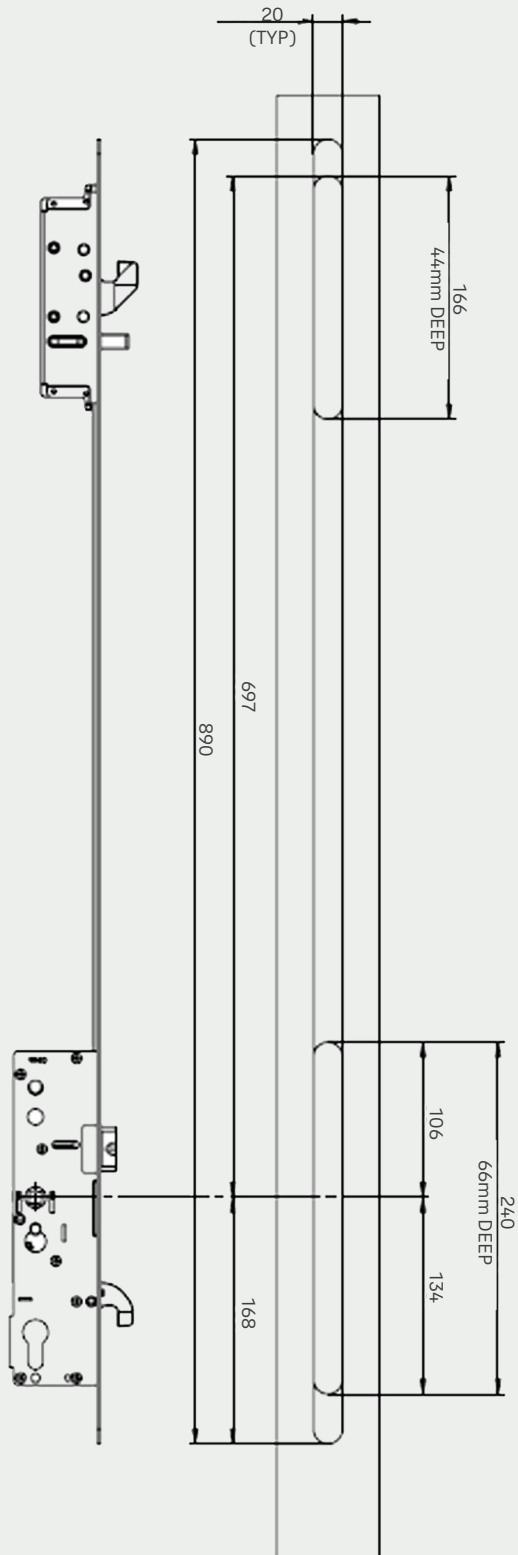
# Lockmaster - Routing Prep

## 45mm Composite Stable Door Lock

Top Lock

Part Number: YSDL001-T-45H-27

Stable Door Lock - Top, 2H, 20mm Round ended, Composite, 45mm





# Lockmaster

## 45mm Composite Stable Door Lock - Bottom Lock

**Part Number: YSDL001-B-45H-27**

### Auxillary unit

- Lockmaster signature hook and anti-lift pin

### Centre case

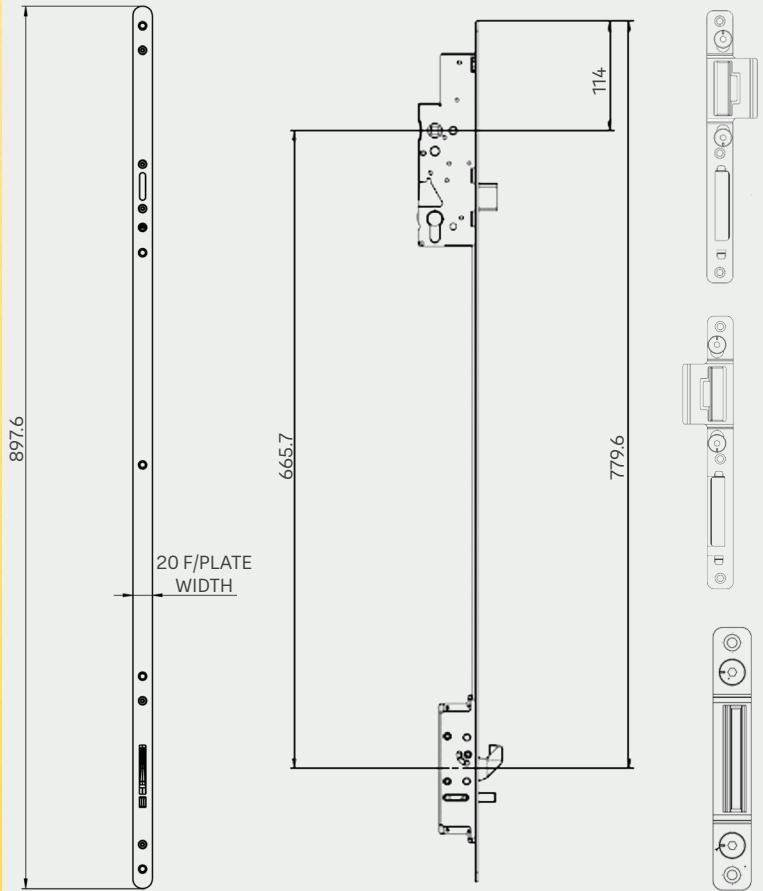
- Deadbolt gearbox
- 45mm backset
- Deadbolt centre
- PZ92 centrecase

### Faceplate

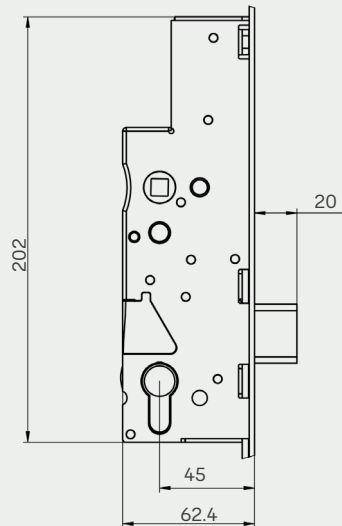
- Yale branded
- 20mm round ended faceplate

### Individual Keeps

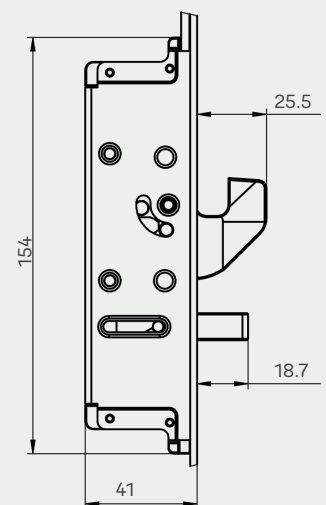
- Fully adjustable keeps to suit top lock option



Centre case



Auxillary Unit



**Partcode**

**Description**

YSDL001-B-45H-27

Yale Lockmaster Stable Door Lock - Bottom 2H, 45mm Keyturn 20RE

PLK924-19

LH Centre Hook & Deadbolt Keep Composite

PLK925-19

RH Centre Hook & Deadbolt Keep Composite

PLK926-19

Composite Hook End Keep

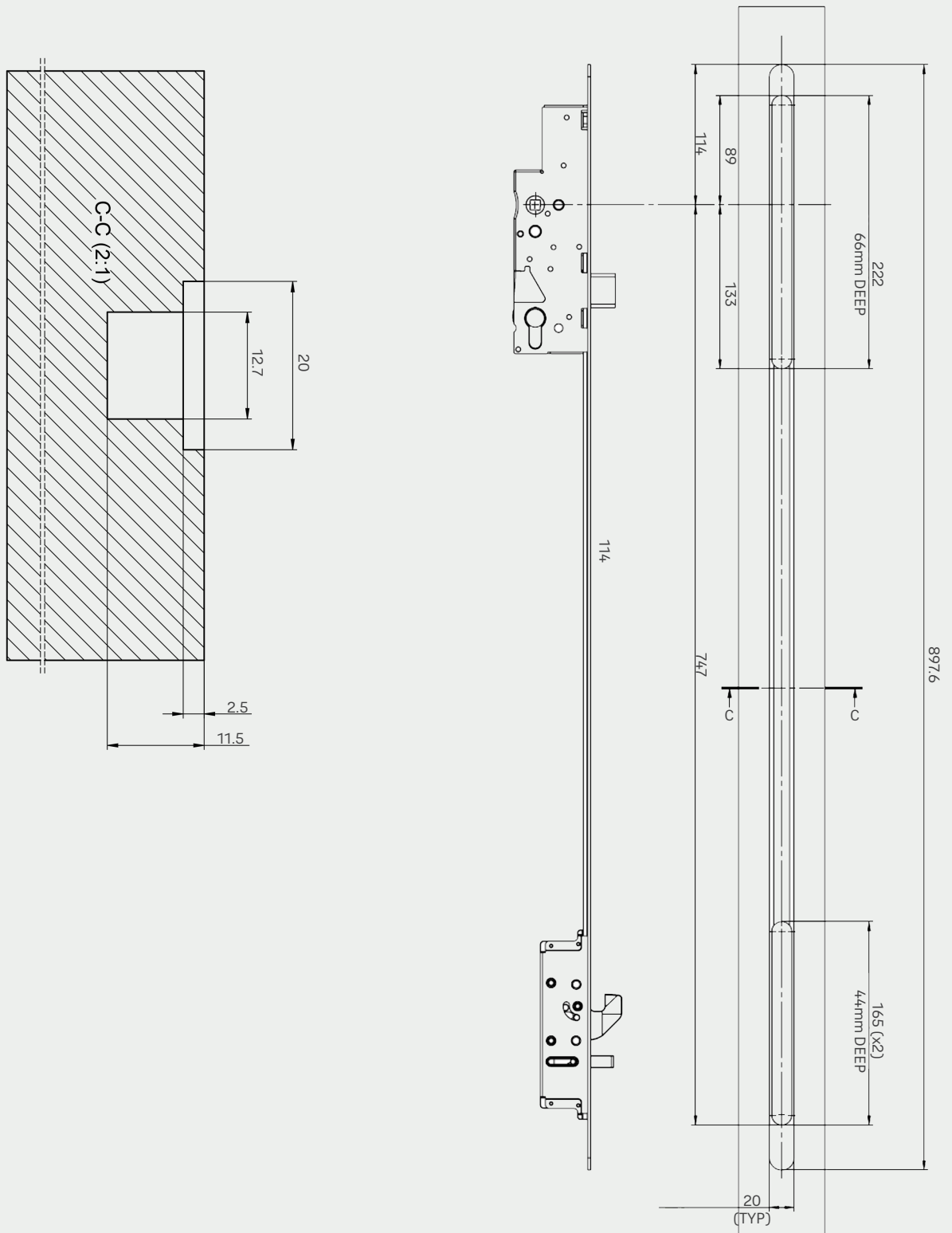
# Lockmaster - Routing Prep

## 45mm Composite Stable Door Lock

### Bottom Lock

Part Number: YSDL001-B-45H-27

Stable Door Lock - Bottom, 2H, 20mm Round ended, Composite, 45mm





# Maintenance

Yale recommends that all moving components are lubricated using a non-acidic mineral oil at least twice a year and surface cleaned with a damp cloth. The product may need to be adjusted to ensure satisfactory operation.

## THE YALE BRAND

Yale is trusted by millions of people everyday to keep what's important to them safe. Our innovations have protected their homes, families and belongings for over 180 years.

We have expanded from being a leader in mechanical lock engineering to innovating connected smart locks and homes.

Because we always make every effort to push the boundaries in a changing world. We were there for your grandparents (and probably theirs) and we'll be there for your children. Today, and every day to come.

Yale DWS

School Street, Willenhall, West

Midlands WV13 3PW, UK

T: 01902 366800 F: 01902 369041

[www.yaledws.co.uk](http://www.yaledws.co.uk)

Version 1.2 October 2022

ASSA ABLOY©

This installation guide is to be used in conjunction with the following partcodes: YDSL\*\*\*, YLKSD13-\*\*\* and PLK\*\*\*

Due to a continuous programme of development the company reserves the right to make alterations without notice. (Products which are not a stocked item will be subject to a longer lead time which needs to be agreed with your Yale representative).

Part of ASSA ABLOY